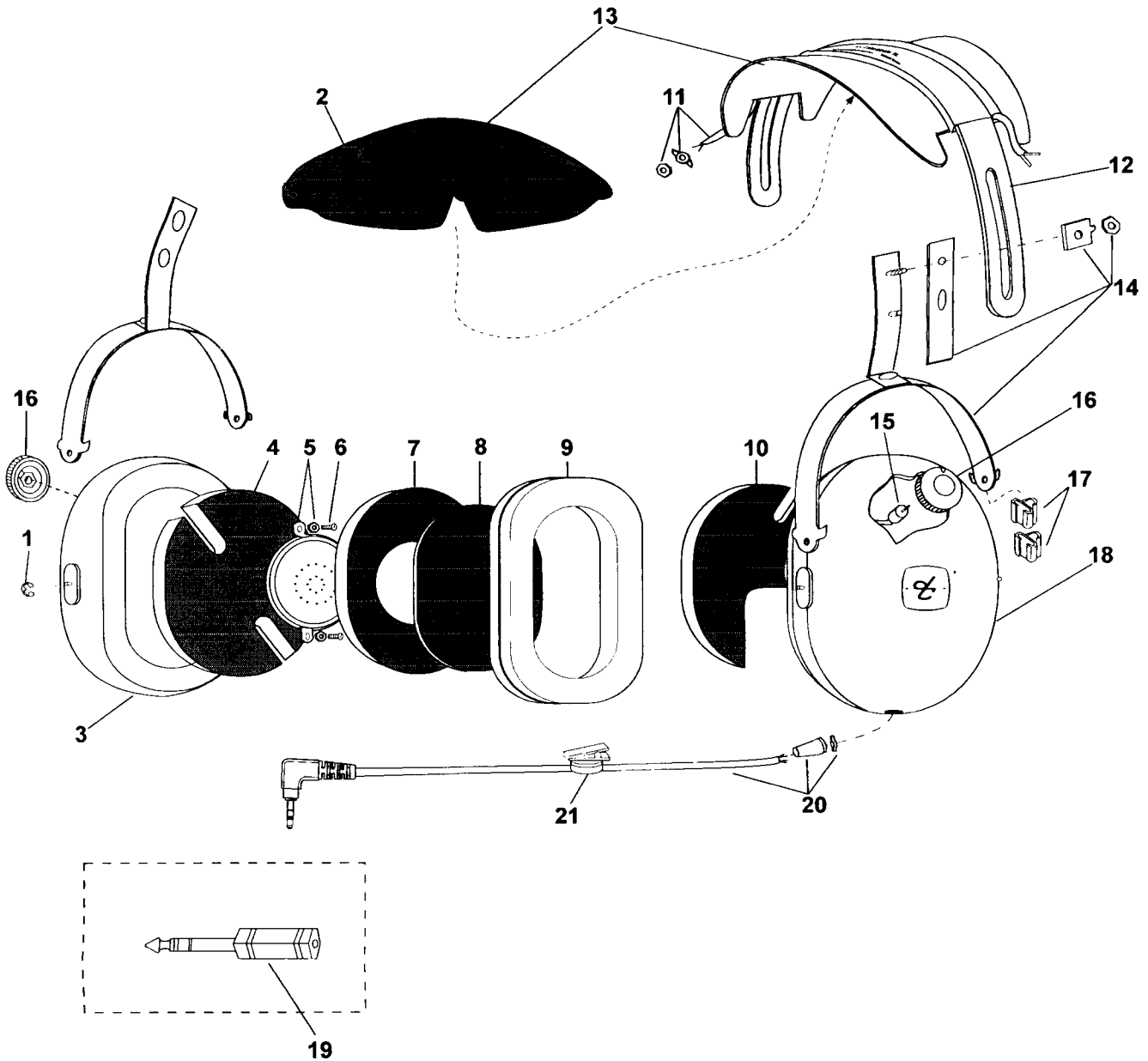


David Clark COMPANY
INCORPORATED

360 Franklin Street, Box 15054, Worcester, MA 01615-0054
TEL.: (508) 751-5800 E-Mail: sales@DavidClark.com FAX: (508) 753-5827

PARTS LIST
MODEL 10S/DC



No.	Description	Part No.
1	Retaining Ring (10/pk)	00009M-03
2	Headpad Restraint, Foam	40867G-01
3	Right Dome	15253P-08
4	Filter	26475P-02
5	Earphone Assembly	10376G-41
6	Screw/Grommet (4/pk)	18900G-47
7	Filter	25629P-03
8	Filter	14096P-09
9	Undercut Gel Earseals (pair)	40863G-02
10	Filter	26475P-08
11	Overhead Cord Kit	22607G-01
12	Headband Spring	15093P-01

No.	Description	Part No.
13	Headpad Assy	40688G-37
14	Stirrup & Clamp Kit	22378G-12
15	Volume Control	09349P-34
16	Volume Control Knob	15109P-01
17	Clip, Cord (4/pk)	15250P-02
18	Left Dome	15253P-36
19	Adapter 3.5mm-1/4" plug	
	Stereo	09949P-03
	Monaural	09949P-04
20	Comm Cord Kit	40599G-42
21	Clothing Clip	18900G-86

ELECTRICAL SCHEMATIC
MODEL 10S/DC

