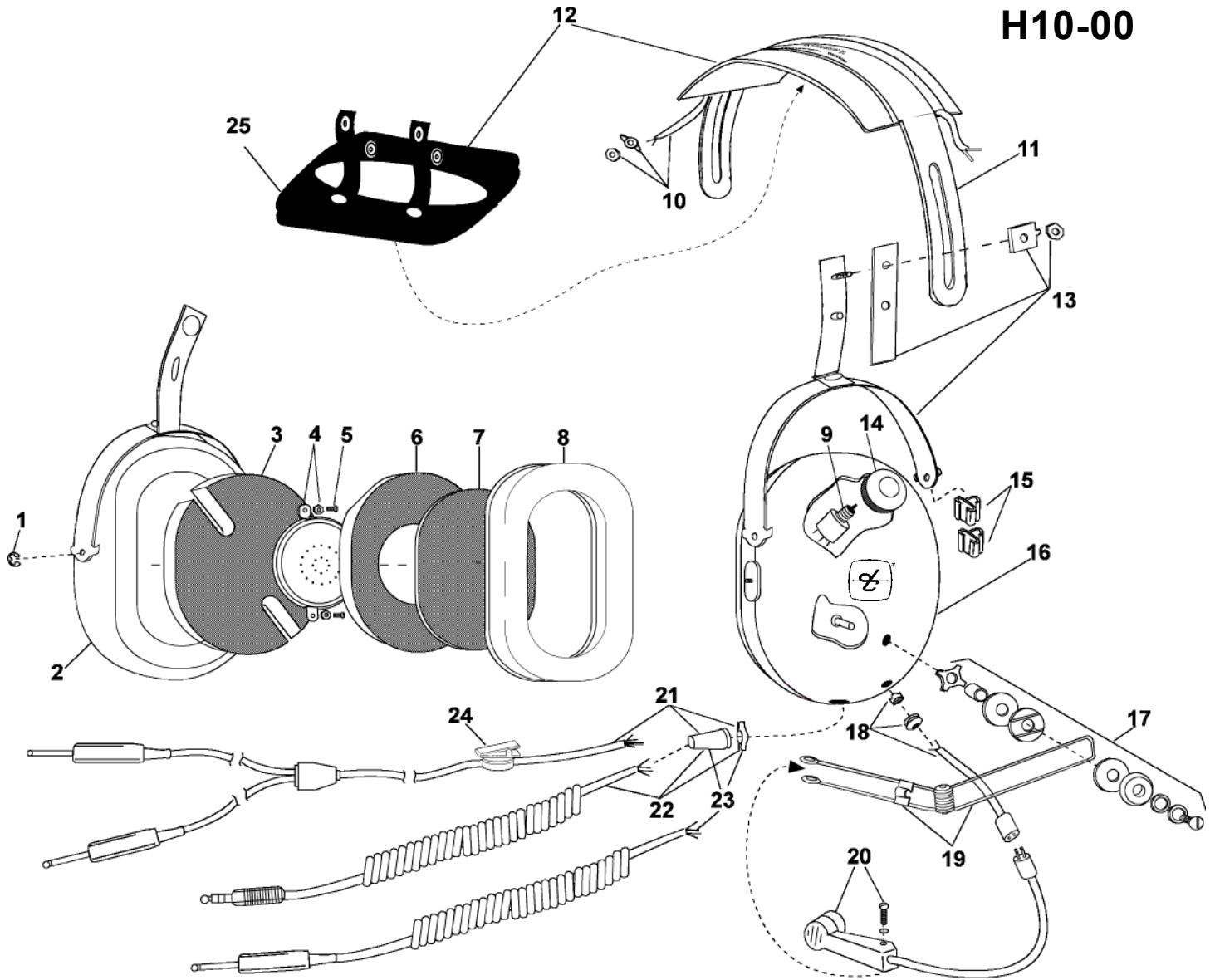


David Clark COMPANY
INCORPORATED

360 Franklin Street, Box 15054, Worcester, MA 01615-0054
TEL.: (508) 751-5800 E-Mail: sales@DavidClark.com FAX: (508) 753-5827

PARTS LIST
MODELS H10-30®
H10-36
H10-00



No.	Description	Part No.
1	Retaining Ring (10/pk)	00009M-03
2	Right Dome	11696P-12
3	Filter	26475P-02
4	Earphone Assembly	10376G-20
5	Screw (10/pk)	13180P-06
6	Filter	25629P-03
7	Filter	14096P-09
8	Undercut Gel Earseals (pair)	40863G-02
9	Volume Control	09349P-34
10	Overhead Cord Kit	22607G-01
11	Headband Spring	15093P-01
12	Headpad Assy	18900G-45
13	Stirrup & Clamp Kit	22378G-08

No.	Description	Part No.
14	Volume Control Knob	15109P-01
15	Clip, Cord (4/pk)	15125P-02
16	Left Dome (H10-00)	11696P-13
	Left Dome (Mic side)	11696P-28
17	Boom Guide Kit	12840G-01
18	Mic Jack Cord Kit	10405G-05
19	Mic Boom Assembly	12765G-03
20	M-1/DC Microphone	12948G-01
21	Comm Cord Kit (H10-30)	18028G-01
22	Comm Cord Kit (H10-36)	18028G-05
23	Comm Cord Kit (H10-00)	18028G-02
24	Clothing Clip	18900G-86
25	Headpad Restraint, Foam	40266G-01

