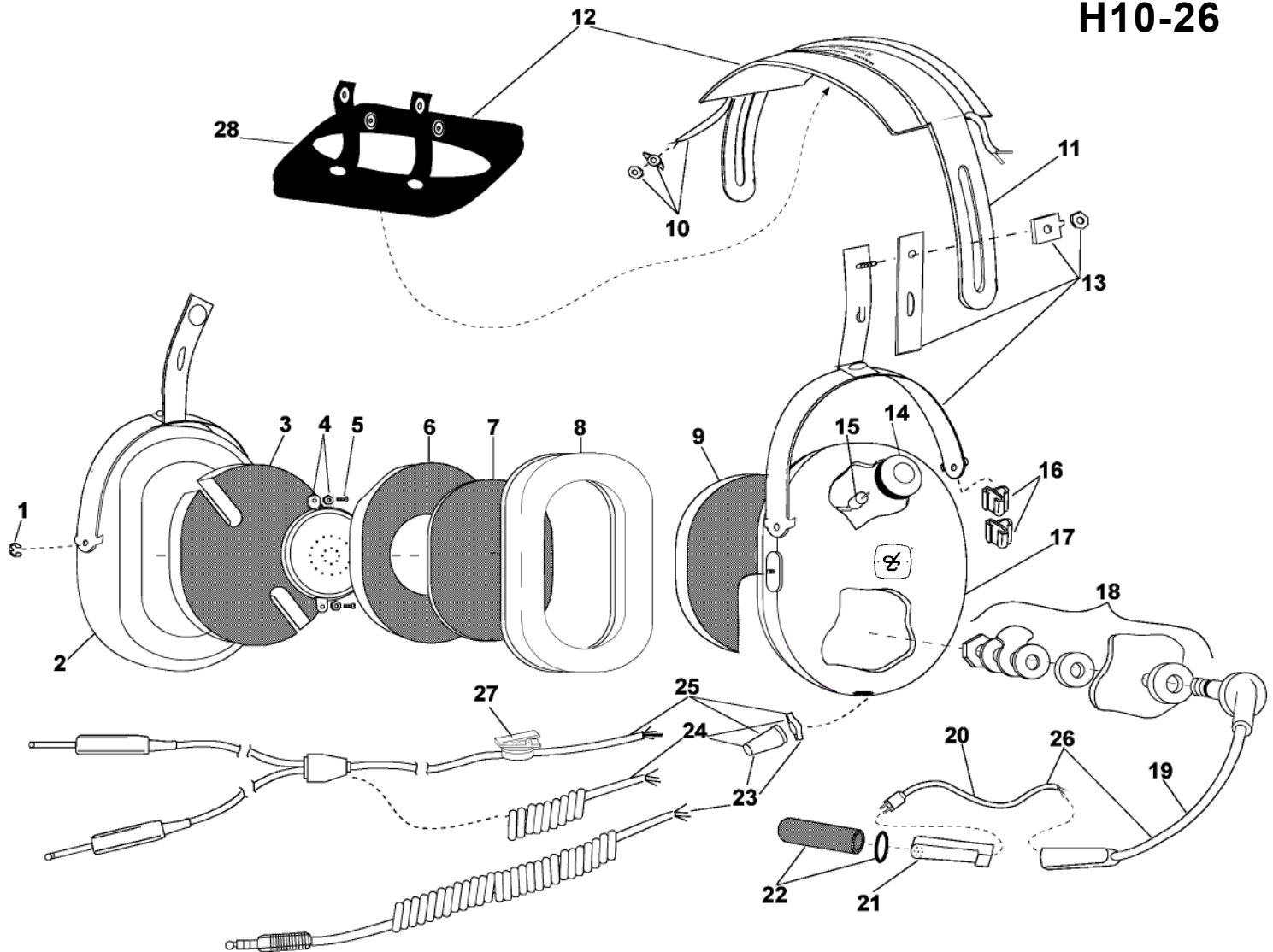


David Clark COMPANY INCORPORATED

360 Franklin Street, Box 15054, Worcester, MA 01615-0054
TEL.: (508) 751-5800 E-Mail: sales@DavidClark.com FAX: (508) 753-5827

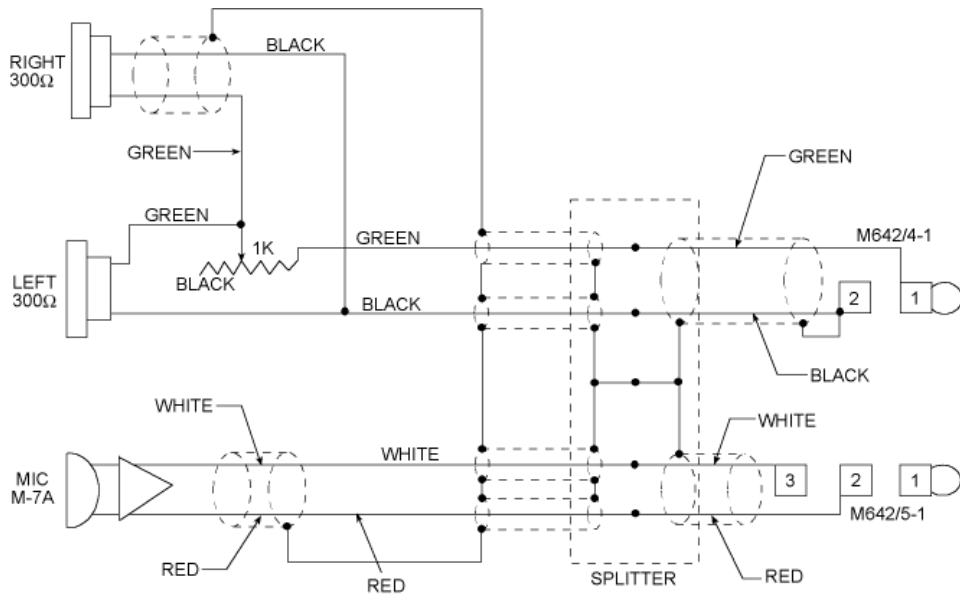
PARTS LIST MODELS H10-20® H10-21 H10-26



No.	Description	Part No.
1	Retaining Ring (10/pk)	00009M-03
2	Right Dome	11696P-12
3	Filter	26475P-02
4	Earphone Assembly	10376G-20
5	Screw (10/pk)	13180P-06
6	Filter	25629P-03
7	Filter	14096P-09
8	Undercut Gel Earseals (pair)	40863G-02
9	Filter	26475P-08
10	Overhead Cord Kit	22607G-01
11	Headband Spring	15093P-01
12	Headpad Assembly	18900G-45
13	Stirrup & Clamp Kit	22378G-08
14	Volume Control Knob	15109P-01

No.	Description	Part No.
15	Volume Control	09349P-34
16	Clip, Cord (4/pk)	15125P-02
17	Left Dome	11696P-40
18	Boom Attachment Kit	12840G-08
19	Mic Boom Assembly	18688G-02
20	Mic Plug Cord	18744G-01
21	M-7A Electret Mic	09168P-33
22	Mic Protector	40062G-02
23	Comm Cord Kit (H10-26)	18028G-05
24	Comm Cord Kit (H10-21)	18028G-56
25	Comm Cord Kit (H10-20)	18028G-01
26	Flex Boom Assy	18740G-04
27	Clothing Clip	18900G-86
28	Headpad Restraint, Foam	40266G-01

H10-20, H10-21



H10-26

