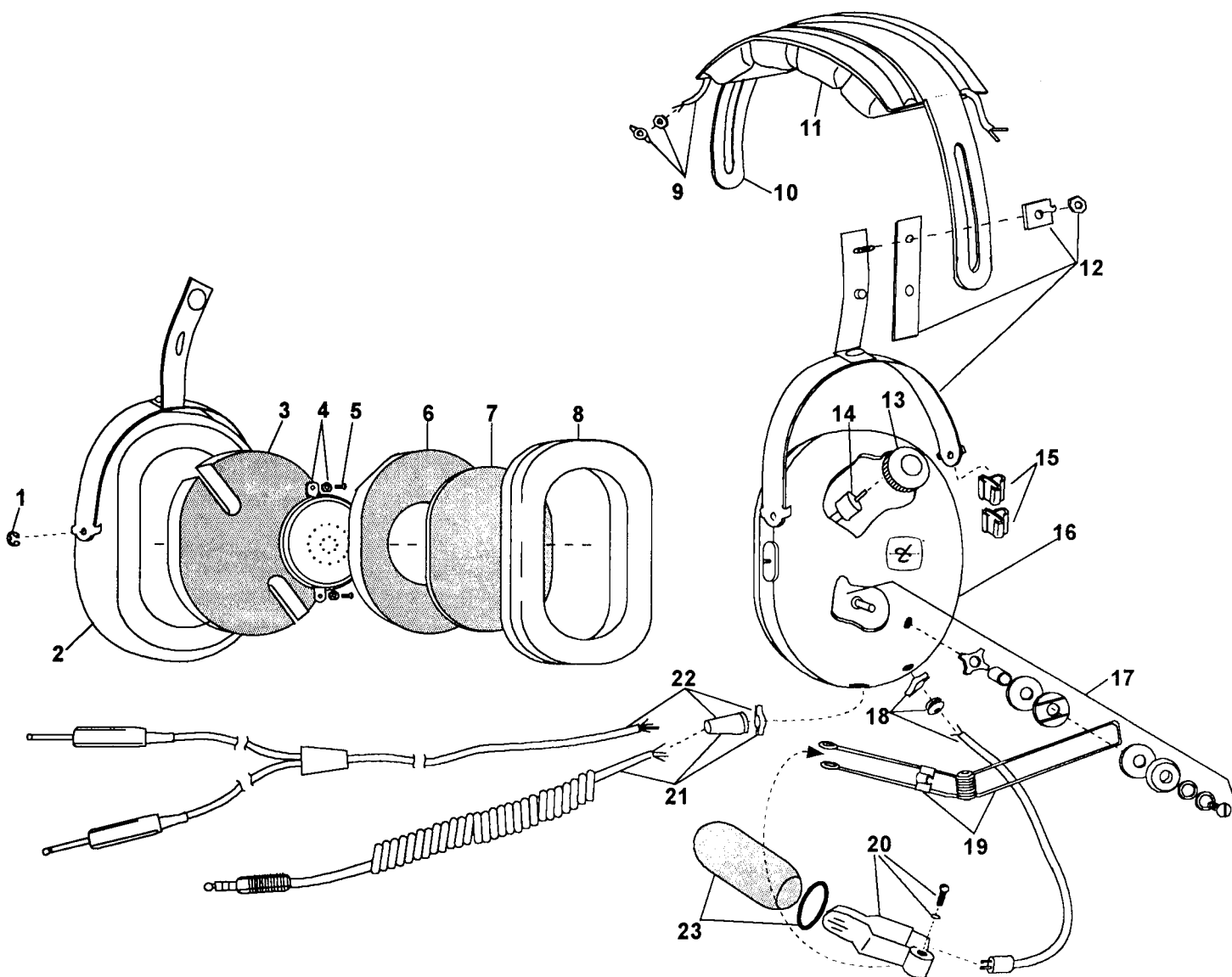


David Clark COMPANY INCORPORATED

360 Franklin Street, Box 15054, Worcester, MA 01615-0054
TEL.: (508) 751-5800 E-Mail: sales@DavidClark.com FAX: (508) 753-5827

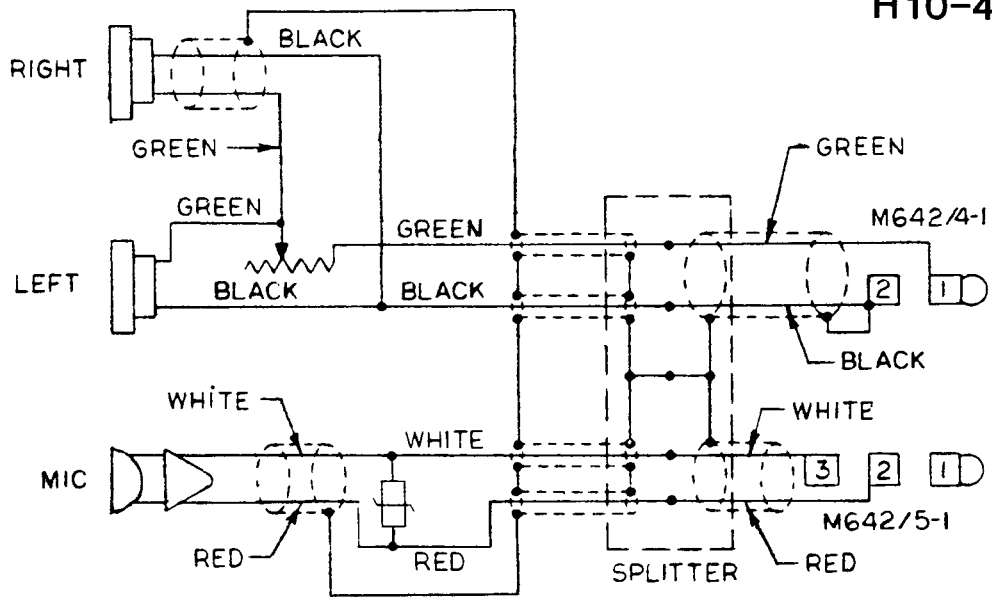
PARTS LIST MODELS H10-40® H10-46



No.	Description	Part No.
1	Retaining Ring (10/pk)	00009M-03
2	Right Dome	11696P-12
3	Filter	26475P-02
4	Earphone Assembly	10376G-20
5	Screw (10/pk)	13180P-06
6	Filter	25629P-03
7	Filter	14096P-09
8	Earseal (pair)	40051G-02
9	Overhead Cord Kit	22607G-01
10	Headband Spring	15093P-01
11	Headpad Assy	40075G-02
12	Stirrup & Clamp Kit	22378G-08

No.	Description	Part No.
13	Volume Control Knob	15109P-01
14	Volume Control	09349P-34
15	Clip, Cord (4/pk)	15125P-02
16	Left Dome (Mic side)	11696P-28
17	Boom Guide Kit	12840G-01
18	Mic Plug Cord Kit	18804G-02
19	Mic Boom Assembly	12765G-03
20	M-4 Electret Microphone	18762G-02
21	Comm Cord Kit (H10-46)	18028G-05
22	Comm Cord Kit (H10-40)	18028G-01
23	Microphone Protector	40062G-01

H10-40[®]



H10-46

