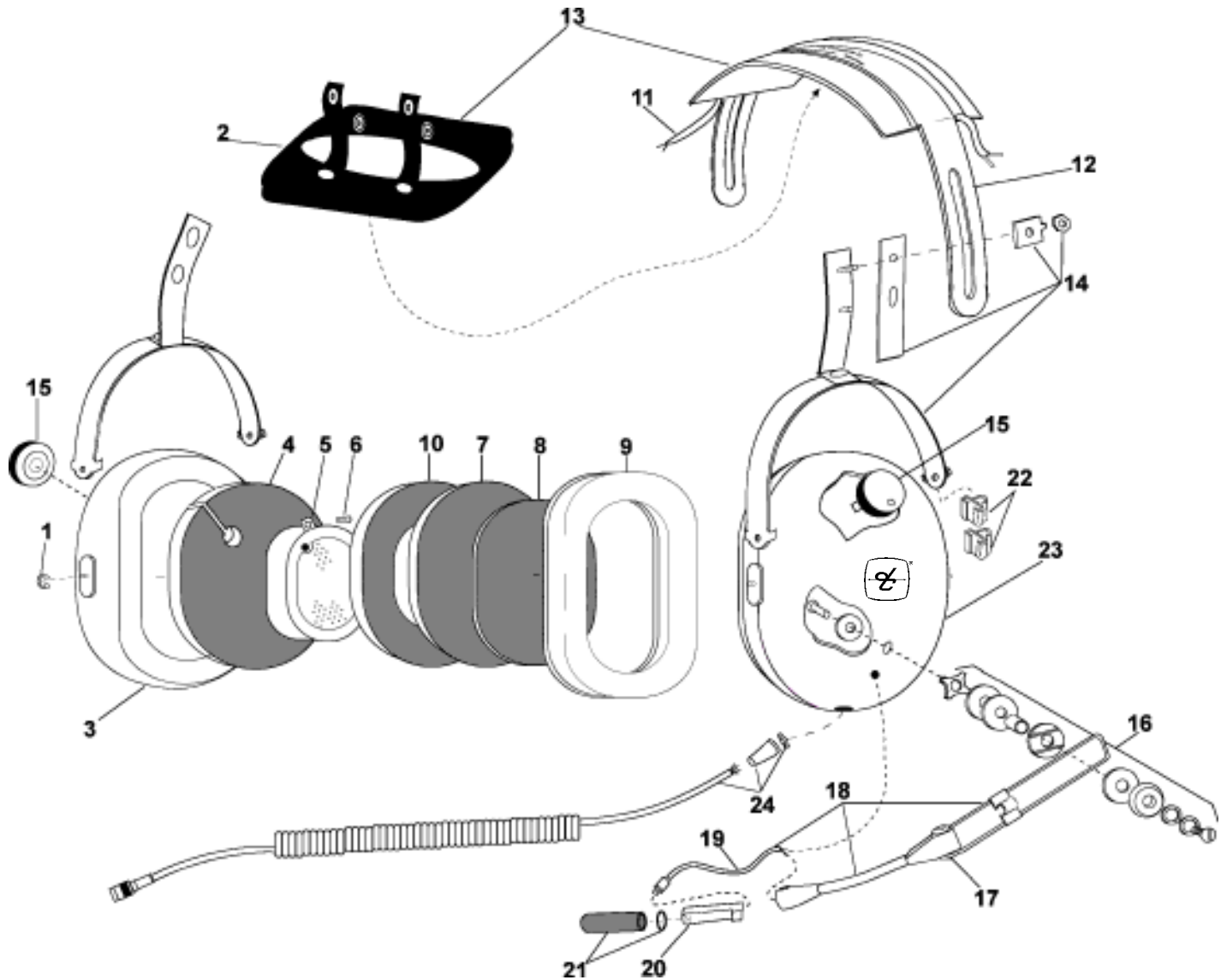




David Clark COMPANY
INCORPORATED

360 Franklin Street, Box 15054, Worcester, MA 01615-0054
TEL: (508) 751-5800 E-Mail: sales@DavidClark.com FAX: (508) 753-5827

**PARTS LIST
MODEL H10-56HX
HEADSET ONLY**



No.	Description	Part No.
1	Retaining Ring (10/pk)	00009M-03
2	Headpad Restraint, Foam	40266G-01
3	Right Dome	11353P-49
4	Filter, Outer, Yellow	15511P-02
5	Module with Bracket	18900G-90
6	Screw (10/pk)	13180P-03
7	Filter, Inner	15509P-02
8	Filter, Cloth	15512P-03
9	Undercut Gel Earseals (pair)	40863G-02
10	Filter, Middle, Charcoal	15510P-02
11	Overhead Cord Kit	22607G-12
12	Headband Spring	15093P-01

No.	Description	Part No.
13	Headpad Assy	18900G-48
14	Stirrup & Clamp Kit	22378G-12
15	Volume Control	09349P-40
16	Boom Attachment Kit	12840G-09
17	Microphone Boom Assy	18688G-04
18	Mic Boom & Cord Assy	18740G-05
19	Mic Plug Cord	18744G-01
20	M-7A Electret Mic	09168P-33
21	Mic Protector	40062G-02
22	Clip, Cord (4/pk)	15125P-02
23	Left Dome	11353P-50
24	Comm Cord Kit	40599G-04

ELECTRICAL SCHEMATIC H10-56HX HEADSET ONLY

