

# TELEX

*Airman 8  
Operating Instructions*



**PROPRIETARY NOTICE**

The product information and design disclosed herein were originated by and are the property of Bosch Security Systems, Inc. Bosch reserves all patent, proprietary design, manufacturing, reproduction, use and sales rights thereto, and to any article disclosed therein, except to the extent rights are expressly granted to others.

**COPYRIGHT NOTICE**

Copyright 2018 by Bosch Security Systems, Inc. All rights reserved. Reproduction, in whole or in part, without prior written permission from Bosch is prohibited.

\*All other trademarks are property of their respective owners.

**WARRANTY AND SERVICE INFORMATION**

For warranty and service information..... [www.telex.com/warranty](http://www.telex.com/warranty)

**CUSTOMER SUPPORT**

Technical questions should be directed to:

Customer Service Department  
Bosch Security Systems, Inc.  
[www.telex.com](http://www.telex.com)

Technical Solutions  
Telex Aviation Technical Support ..... 1-800-898-6723

After-Sales Support..... 1-800-553-5992

**DISCLAIMER**

The manufacturer of the equipment described herein makes no expressed or implied warranty with respect to anything contained in this manual and shall not be held liable for any implied warranties of fitness for a particular application or for any indirect, special, or consequential damages. The information contained herein is subject to change without prior notice and shall not be construed as an expressed or implied commitment on the part of the manufacturer.

# *Important!*

## *Read Before Use*

### **General:**

- Read this technical manual completely before using the product.
- This technical manual is also available at [www.telex.com/aviation](http://www.telex.com/aviation).

### **Health and Safety:**

- Always keep at least 4" (~10cm) between the ear cups and a pacemaker or implanted defibrillator because this product generates magnetic fields.
- Keep away from children – product parts and accessories are a choking hazard.
- With **ANR** (Active Noise Reduction) active, typical aircraft sounds may not sound the same as when not using the ANR. Before operating in an aircraft, verify ANR is active and you can hear and recognize sounds properly. Set the volume to a safe level that does not diminish your hearing of alarms and warnings.
- This headset is capable of producing sound pressure over 85dB(A). In many countries, this is the maximum legal level for continuous noise exposure during the working day. Do not listen at high volume levels for extended periods of time to prevent hearing damage.

### **Preventing Damage and Malfunctions**

- Always keep the headset dry and do not expose it to extreme temperatures to avoid corrosion or deformation.
- Never attempt to repair a headset which is not operating correctly. Contact the Telex dealer you purchased the headset through or authorized repair facility.
- Only replace parts of the headset whose replacement is described within this manual. All other parts must be replaced by an authorized repair facility.



# Table of Contents

---

<b>INTRODUCTION .....</b>	<b>7</b>
General Description .....	7
Features .....	7
FAA .....	8
Reference View .....	10
Connections .....	11
<b>INSTALLATION .....</b>	<b>13</b>
Installation .....	13
Headband Adjustment and Sizing .....	15
Ear Cup Adjustment .....	16
Mic Placement .....	17
Microphone Gain Adjustment .....	18
Clothing Clip Assembly and Attachment .....	19
<b>USING THE HEADSET .....</b>	<b>21</b>
ANR System .....	21
Headphone Volume Adjustment .....	23
<b>CARE &amp; MAINTENANCE .....</b>	<b>25</b>
Recommended Maintenance Schedule .....	25
Continued Airworthiness .....	26
Cleaning the Headset and Connectors .....	26
Cleaning the Ear Cushions and Headband Pads .....	26
Replacing Ear Cushions and Headband Pads .....	26
Installing and Replacing the Hygienic Covers .....	28
Replacing the Windscreen .....	28
Headset Storage .....	29

---

<b>TROUBLESHOOTING .....</b>	<b>31</b>
Troubleshooting .....	31
Label Information .....	38
<b>SPECIFICATIONS .....</b>	<b>39</b>
Specifications .....	39
Part Number Information .....	42
Notes .....	43

# *Introduction*

---

---

## *General Description*

The Telex Airman 8 is a lightweight noise-reducing headset designed specifically for optimizing pilot communications in commercial and business turbine aircraft. Building on the tradition of the Airman 850, the Airman 8 has improved durability, intelligibility, and comfort. The Airman 8 is the lightest **ANR** (Active Noise Reduction) headset on the market and the only FAA TSO C139a approved ANR headset to utilize Telex's proprietary battery-free, noise-reduction system.

---

## *Features*

- Flexible boom-mounted, noise-reducing microphone, positionable for right- or left-side.
- Lightweight, battery-free ANR with onboard fail-safe to ensure constant communication.
- Soft, pliable ear cushions and headband pads.
- Stainless steel headband and pivot points for superior durability.
- FAA TSO C139a approved.

# FAA

The Telex Airman 8 Headset is approved for aircraft use under FAA TSO-C139A.

The conditions and tests required for the TSO approval of this article are minimum performance standards. It is the responsibility of those installing this article, either on or within a specific type or class of aircraft, to determine that the aircraft installation conditions are within the TSO standards. TSO articles may have separate approval for installation on aircraft. The article may be installed only if performed under 14 CFR part 43 or the applicable air worthiness requirements.

Tests were conducted per the minimum standards defined in RTCA DO -214A and DO-160G. The headset was designed and is manufactured to meet the following environmental categories.

## Environmental Qualification Form

CONDITIONS	DO-160G SECTION	DESCRIPTION OF TESTS CONDUCTED
Temperature and Altitude	4.0	
Ground Survival Low-Temp/Short-Time	4.5.1	Equipment tested to Category A1
Operating Low-Temp		
Operating Low Temperature	4.5.2	Equipment tested to Category A1
Ground Survival High-Temp & Short-Time	4.5.3	Equipment tested to Category A1 with 70°C max. exception by DO-214a 2.5.1.2
Operating High-Temp		
High Temperature	4.5.4	Equipment tested to Category A1
In-Flight Loss of Cooling	4.5.5	Not Applicable
Altitude	4.6.1	Equipment tested to Category A1/ 15000ft.
Decompression	4.6.2	Equipment tested to Category A1/ 45000ft.
Overpressure	4.6.3	Equipment tested to Category A1
Temperature Variation	5.0	Equipment tested to Category C
Humidity	6.0	Equipment tested to Category A
Operational Shock and Crash Safety	7.0	Not Applicable
Vibration	8.0	Equipment tested to Category S, aircraft zone 2 (instrument panel or console mounting), Aircraft type 2 (Fixed Wing Turbojet or Turbofan engines), using vibration test curve B.
Explosive Atmosphere	9.0	Not Applicable
Waterproofness	10.0	Not Applicable
Fluids Susceptibility	11.0	Not Applicable
Sand and Dust	12.0	Not Applicable
Fungus	13.0	Not Applicable



CONDITIONS	DO-160G SECTION	DESCRIPTION OF TESTS CONDUCTED
Salt Fog Test	14.0	Not Applicable
Magnetic Effect	15.0	Equipment is Category Z
Power Input	16.0	Not Applicable
Voltage Spike	17.0	Equipment tested to Category A
Audio Frequency Susceptibility	18.0	Not Applicable
Induced Signal Susceptibility	19.0	Equipment tested to Category ZC
Radio Frequency Susceptibility	20.0	Equipment tested to Category R
Momentary RF	20.0	Equipment tested to Category R
Steady State RF	20.0	Equipment tested to Category R
Emission of RF Energy	21.0	Equipment tested to Category M
Lightning Induced Transient Susceptibility (multiple burst)	22.0	Equipment identified as Category L2
Lightning Direct Effects	23.0	Not Applicable
Icing	24.0	Not Applicable
Electrostatic Discharge	25.0	Equipment tested to Category A
Fire, Flammability	26.0	Equipment tested to FAR PART25 and appendix F <b>NOTE:</b> Some components not tested as they are considered small parts
Wire Flammability		FAR, Wire tested to Part 25 and appendix F

*Reference View*

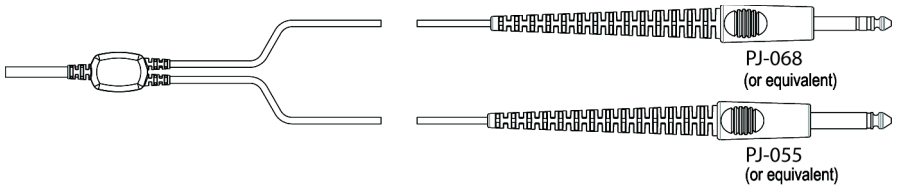
1. Headband Pad
2. Headset Sliders
3. Ear Cushions
4. Ear Cup Rotators

5. Boom Rotator
6. Cord with Strain Relief
7. Boom
8. Windscreen/Microphone

## Connections

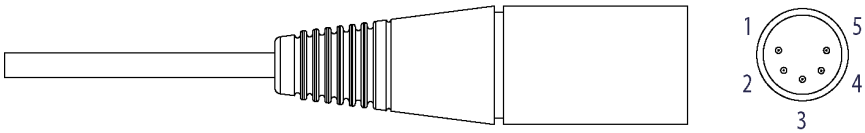
Airman 8 Series headsets are available with multiple connector styles depending on the application of use. All models utilize custom cables developed specifically for in cockpit use. All connection points implement strain and bend relief features to provide long-term durability. Shielded wire throughout the headset protects against RFI (Radio Frequency Interference) and EMI (Electromagnetic Interference).

### Dual-Plug

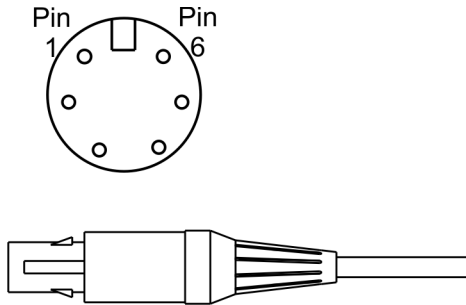


PJ-068 or equivalent	Description
Tip	Not Used
Ring	Mic Signal (ANR Power +)
Sleeve	Mic GND (ANR Power -)

PJ-055 or equivalent	Description
Tip	Headphone Signal
Sleeve	Headphone GND

**5-Pin XLR Aircraft Cable**

Pin	Description	Color
1	Headphone Signal	Yellow
2	Headphone GND	Black/Outer Shield
3	Mic Power and Signal (ANR Power +)	White
4	Mic GND and ANR Return (ANR Power -)	Blue/Inner Shield
5	No Connection	

**6-Pin Male Connector**

Pin	Description	Color
1	No Connection	
2	Shield (Outer)	Black
3	Left Speaker	Yellow
4	Right Speaker	Green
5	Mic (+)	White
6	Mic (-) (Inner Shield)	Blue

# *Installation*

---

---

## *Installation*

To **install the headset for use**, do the following:

- Step 1** Inspect the headset for signs of damage. Do not use the headset if signs of damage are evident.
- Step 2** Plug the headset into the aircraft console (see “Install the Dual Plug Headset in an Aircraft” on page 14 or “Install the Single Plug Headset in an Aircraft” on page 14).
- Step 3** Adjust the headband (see, “Headband Adjustment and Sizing” on page 15).
- Step 4** Adjust the ear cups (see, “Ear Cup Adjustment” on page 16)
- Step 5** Adjust the mic for proper use (see “Mic Placement” on page 17).
- Step 6** Verify ANR is active (see “ANR System” on page 21)
- Step 7** Attach the clothing clip. Using the clothing clip reduces the cord weight from the headset (see “Clothing Clip Assembly and Attachment” on page 19).

**NOTE:** If required, Volume Adjustment (see, “Headphone Volume Adjustment” on page 23), and then repeat steps 1 through 7.

## Install the Dual Plug Headset in an Aircraft

To install the dual plug headset in an aircraft, do the following:

1. Insert the **microphone plug (smaller plug)** into the microphone **jack** on the aircraft audio panel.
2. Insert the **headset plug (larger plug)** into the headset **jack** on the aircraft audio panel.

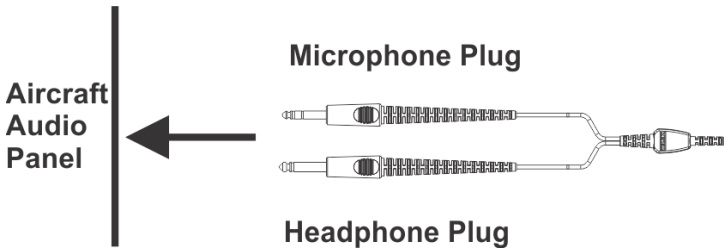


FIGURE 1. Dual Plug Connection

For a detailed plug wiring diagram, see “Dual-Plug” on page 11.

## Install the Single Plug Headset in an Aircraft

To install the **Single plug headset in an aircraft**, do the following:

- > Insert the **single plug into the single jack** on the aircraft audio panel, taking care to properly align the signal pins.

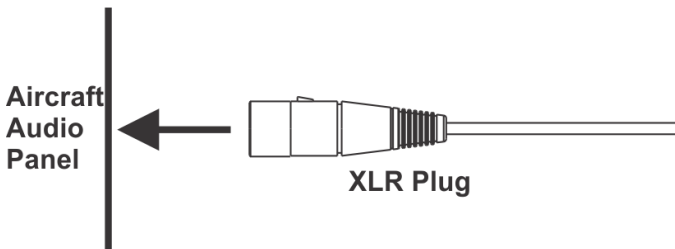


FIGURE 2. XLR Plug Connection and 6-pin male connector (not shown)

## Headband Adjustment and Sizing

The Airman 8 headset is designed to rest evenly on top of the head with each ear cup sitting centered and flush on each ear. The headset should fit over the head without pinching or gapping.

To **adjust the headband size**, do the following:

- > With the headset resting securely on the top of the head, slide the **ear cup up and down to center the ear cup over the ear**.

**NOTE:** The headset works best when the headband pad is centered on the head. Both sides of the headset should be slid evenly for proper use.

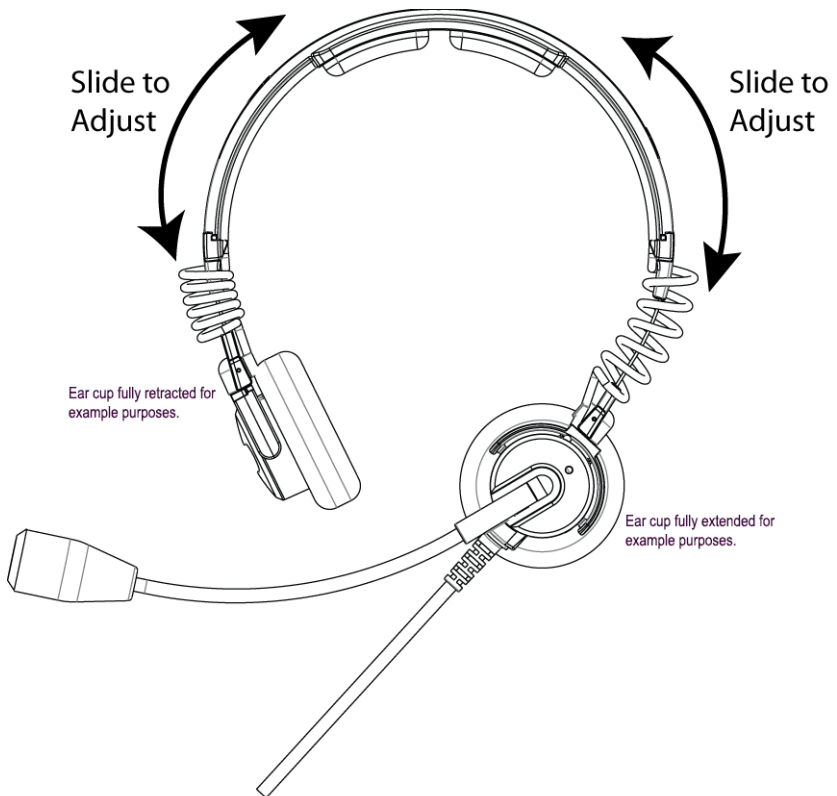


FIGURE 3. Headband Adjustment

---

## Ear Cup Adjustment

---

To **adjust the ear cup to fit correctly**, do the following:

- > Swivel the **ear cup left or right to position the ear cup flat on the ear.**

**NOTE:** Over time, repositioning the headset may be necessary for comfort.



**FIGURE 4.** Ear Cup Adjustment

---

**IMPORTANT:** ANR performance may be diminished if ear cups are improperly fitted to the ears.

Take care not to over-adjust the ear cups. Do not rotate the ear cups more than 90° or damage to the headset may occur.

---



---

## Mic Placement

The headset ships with the boom positioned at the top of the headband. Rotate the entire boom overhead to wear the microphone on either the right or left side of the head.

---

**CAUTION:** There are boom rotation stops on each side of the boom rotation. The boom microphone is rotated upward to move to the other side of the headset.  
**\*\*\*Do not rotate past the built-in stops. Doing so will damage the microphone\*\*\*.**

---

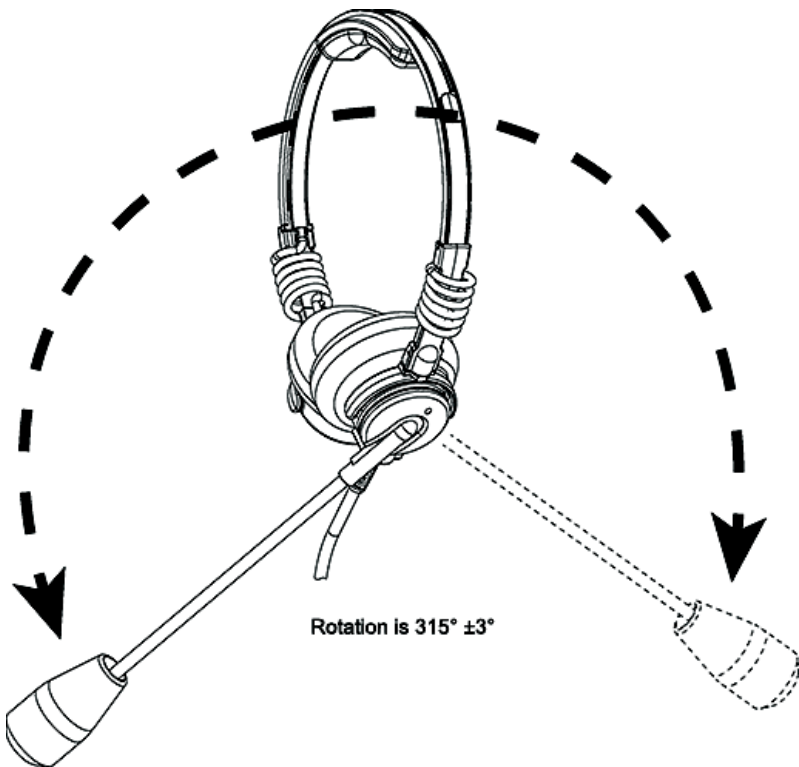


FIGURE 5. Microphone Rotation

To **properly place the mic**, do the following:

1. Rotate the **boom** to the side you want to use (left or right).
2. Bend the **boom** to position the mic in front of the mouth.

**NOTE:** For best noise-cancelling quality, place the boom mic as close to the mouth as possible and speak into the mic.

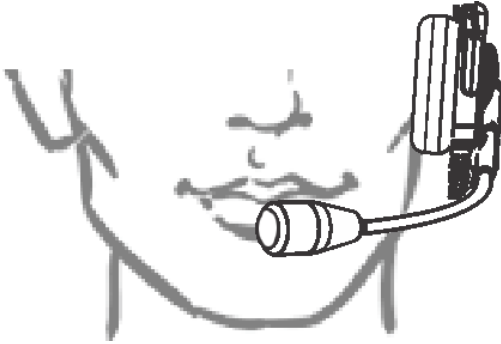


FIGURE 6. Mic Placement

---

## *Microphone Gain Adjustment*

The **Microphone Gain** has been factory-adjusted to the nominal level required for normal radio operation.

---

**IMPORTANT:** Under normal circumstances microphone gain does not require adjustment. If needed, adjustment by an authorized aviation technician is recommended. For instructions on how to adjust the Microphone Gain, see the Customer Maintenance Manual, located on [www.telex.com](http://www.telex.com).

---

## Clothing Clip Assembly and Attachment

Using the clothing clip reduces the cord weight from the headset. The clothing clip comes attached to the cord and only needs to be adjusted up or down, for best use.

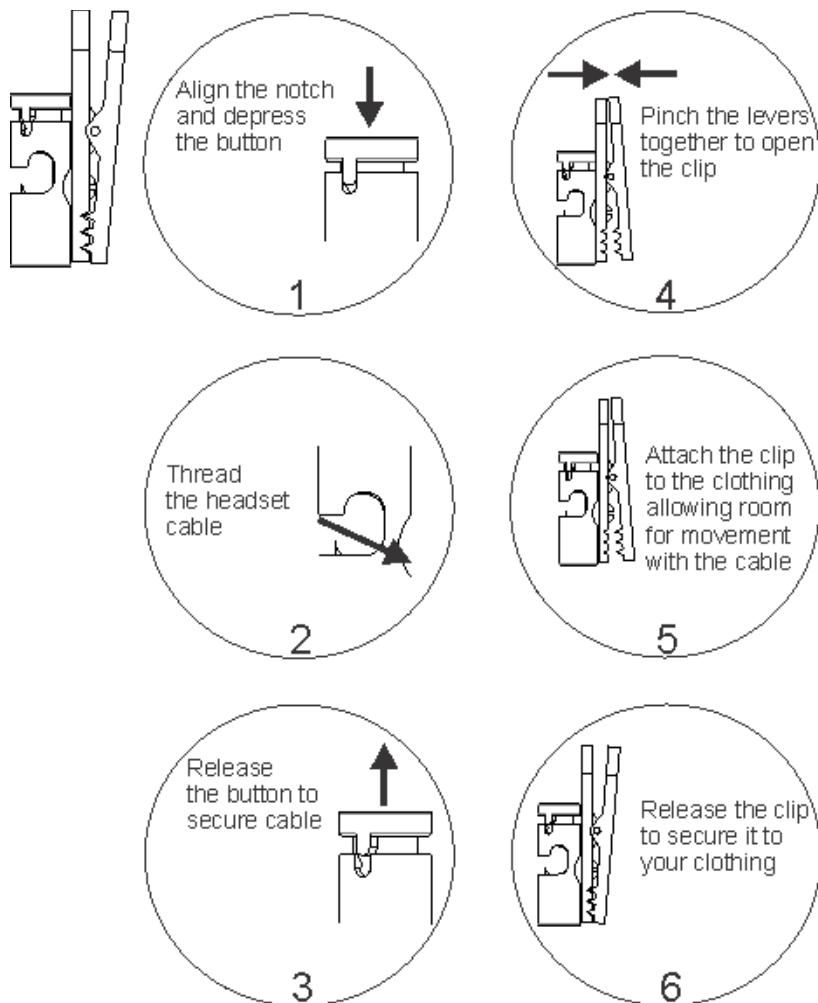


FIGURE 7. Clothing Clip Assembly and Attachment



# *Using the Headset*

---

---

## *ANR System*

**ANR** (Active Noise Reduction) is used to reduce unwanted noise in the headset from the surrounding environment. By reducing unwanted background noise, the user is able to reduce the volume level of the intended sounds providing more intelligible communications and long term hearing safety. It uses power obtained from the aircraft through the boom microphone connection (microphone bias voltage). The ANR system only works properly when power is continuously received from the aircraft.

If power to the headset is lost, the failover system automatically reroutes audio to the speaker so you can still hear communications, even though ANR isn't functioning properly.

**IMPORTANT:** ANR is only available when power is applied to the microphone. When conditions allow for boom microphone power only during push-to-talk, it may be preferred to keep the ANR power switch in the off position. Leaving the ANR power switch in the on position under these intermittent power conditions could result in unintended ANR performance.

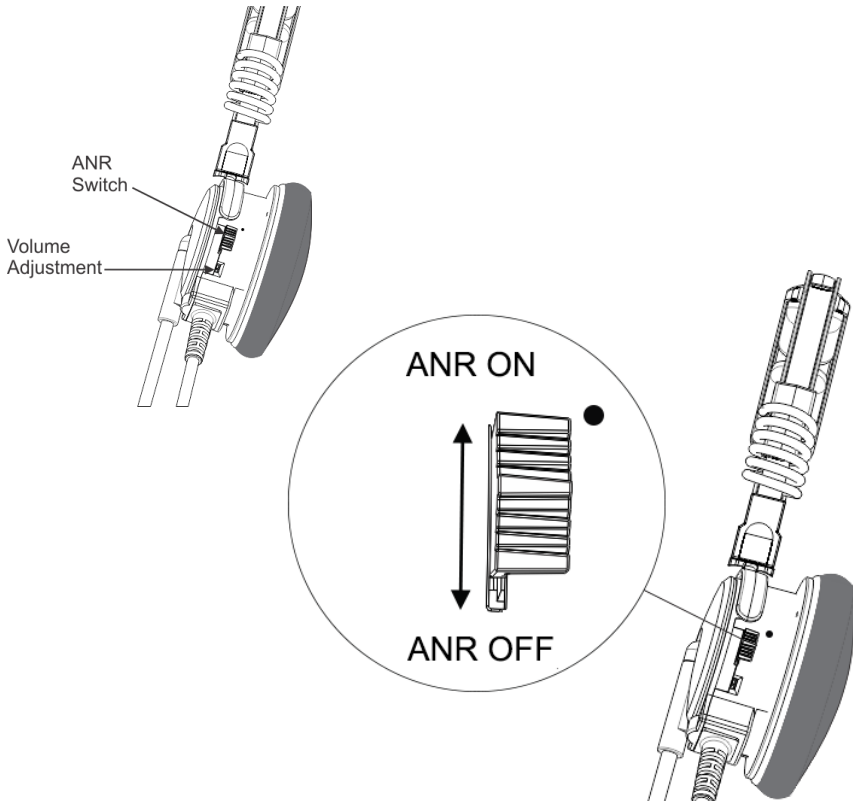


FIGURE 1. ANR Switch

**NOTE:** The ANR switch ships in the on position and usually does not need to be turned off.

To **turn on ANR**, do the following:

- > Move the **ANR switch in the up position** (located on earcup with boom mic).

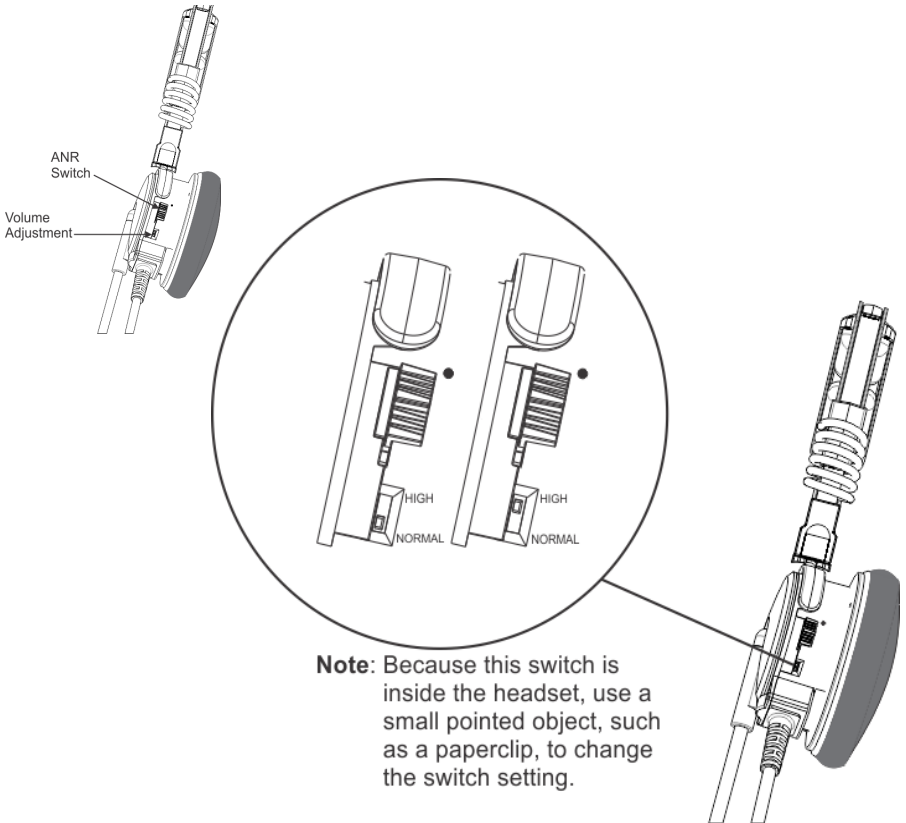
## Headphone Volume Adjustment

**NOTE:** Not available on stereo version.

The Airman 8 has is equipped with a switch that allows you to adjust the headset volume. When required, the user can increase or decrease headphone volume level by moving the switch from normal to high.

**NOTE:** The Airman 8 is shipped in the normal position and functions properly with most avionics equipment. Under normal circumstances, volume adjustment is not required.

**CAUTION:** This headset is capable of producing high **SPLs** (Sound Pressure Levels). High volumes and/or long durations can damage hearing







# Care & Maintenance

---



---

## Recommended Maintenance Schedule

**NOTE:** Ear cushions, headband pads, and microphone wind screens are considered wear items. For proper headset performance, these items need to be inspected and replaced at regular intervals. See the maintenance schedule below for more information. Headset performance diminishes if items are not replaced when deterioration or damage is apparent.

Task	Per Use	Monthly	6 Months
Check Boom Mic Placement	X		
Check Ear Cup Placement	X		
Check Headband Fit	X		
Inspect & Clean Connectors			X
Clean Ear Cushions		X	
Clean Headband Pad		X	
Check Connection Cable		X	
Inspect & Replace Windscreen			X
Inspect & Replace Ear Cushions			X
Inspect & Replace Headband Pad			X

---

## *Continued Airworthiness*

---

**IMPORTANT:** There are no ICA's required for this product.

---

---

## *Cleaning the Headset and Connectors*

---

**IMPORTANT:** Do not allow alcohol or any liquid to touch the speaker or microphone element directly.

---

To **clean the headset**, do the following:

- > Using a mild detergent with water and a soft towel, or isopropyl alcohol wipes, **clean the plastic and metal headset parts.**

**IMPORTANT:** Do not soak or allow liquid to puddle on the unit.

---

---

## *Cleaning the Ear Cushions and Headband Pads*

---

**IMPORTANT:** Do not soak cushions or pads.

---

To **clean the ear cushions and headband pad**, do the following:

- > Using a damp (not wet) soft towel or isopropyl alcohol wipes, **gently wipe the ear cushions and headband pad thoroughly.**

---

## *Replacing Ear Cushions and Headband Pads*

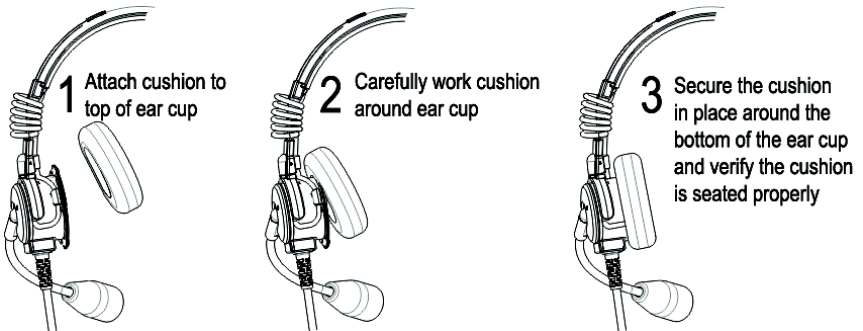
---

To ensure optimal product performance, it is recommended you replace ear cushions and headband pads periodically (every six (6) months, or sooner if needed).

To **remove the ear cushions**, do the following:

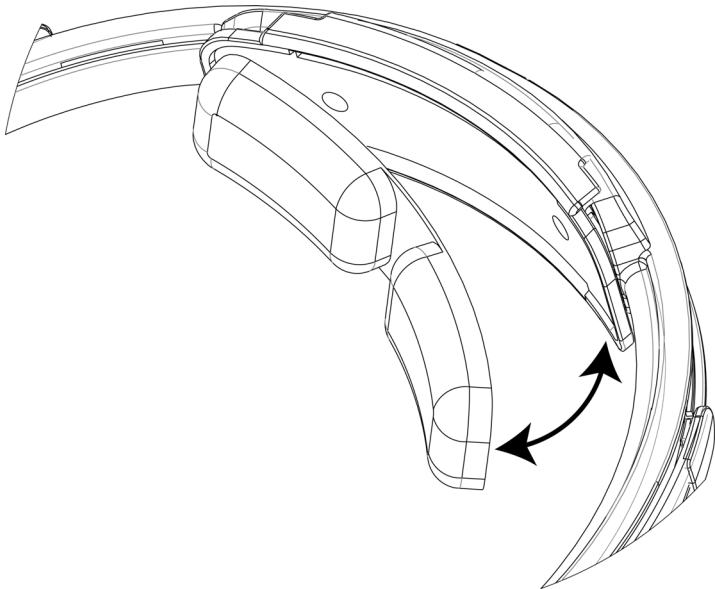
1. Grasp the **edge of the ear cushion** where it folds into the slot on the ear cup.
2. Gently pull the **ear cushion up and away from the ear cup.**
3. Starting at the top of the ear cup (1), carefully work **the cushion** around the cup (2) until it is in place (3).

4. Verify the **cushion** is seated properly before use.



To **replace the headband pads**, do the following:

1. Grasp the edge of the headband pad.
2. Gently pull the **headband pad away** from the headpad holder.
3. Remove the **paper** from the sticky side of the headband pad.
4. Align the **headband pad with the recessed area** on the headpad holder.
5. Firmly press the **headband pad into place**.



---

## *Installing and Replacing the Hygienic Covers*

**NOTE:** Two hygienic covers are included with the headset. However, extra hygienic covers can be purchased separately.

To **replace the hygienic covers**, do the following:

1. Grasp the **edge of the hygienic cover** where it folds into the slot on the ear cup.
2. Gently pull the **hygienic cover up and away from the ear cup**.
3. Starting at the top of the ear cup, carefully work the cover around the ear cup until it is in place.

---

## *Replacing the Windscreen*

The foam windscreen can be cleaned using low pressure air to blow contaminants off from the exterior. If low pressure air does not provide effective results the windscreen should be replaced.

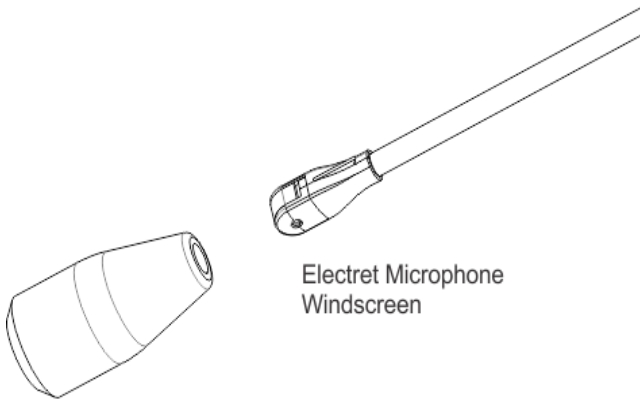
---

**IMPORTANT:** Do not use any liquid on the foam windscreen.

---

To **remove the windscreen**, do the following:

- > Grasp the **microphone windscreen and gently pull away from microphone**.



To **replace the windscreen**, do the following:

- > Slide **new windscreen over microphone**.

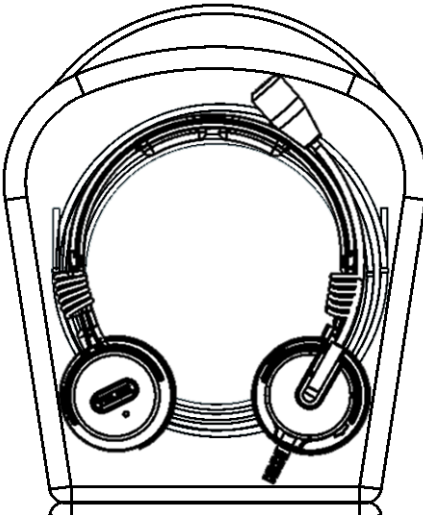
## Headset Storage

To **store the headset**, do the following:

1. Move the **boom mic** above the headband.



2. Fold the **ear cups flat**.
3. Coil the **cord into a loop**.



4. Place the **coiled cord and headset** in the carrying case.



# *Troubleshooting*

---

---

## *Troubleshooting*

- “No one can hear me when I talk” on page 32.
- “Others only hear me sporadically or my voice is distorted and unintelligible” on page 33.
- “I cannot hear anyone who is trying to speak to me” on page 34.
- “I hear others only sporadically or what I hear is distorted and unintelligible” on page 35.
- “Headphones are not blocking background noise” on page 36.
- “Headphones are oscillating, creating unexpected noise, or are only blocking background noise intermittently” on page 37.

Issue	Possible Cause	Solution
No one can hear me when I talk	<ul style="list-style-type: none"> <li>• Microphone not connected correctly.</li> </ul>	<ul style="list-style-type: none"> <li>• Verify microphone is plugged in correctly.</li> <li>• Verify no breaks or damage to cord (If damaged, headset needs to be serviced).</li> </ul>
	<ul style="list-style-type: none"> <li>• Microphone is not placed correctly.</li> </ul>	<ul style="list-style-type: none"> <li>• Reposition microphone to correct location closely to front of mouth. For more information, see “Mic Placement” on page 17.</li> </ul>
	<ul style="list-style-type: none"> <li>• Intercom system is not adjusted properly, not functioning, or compatible with microphone.</li> </ul>	<ul style="list-style-type: none"> <li>• Authorized avionics technician needs to verify compatibility and proper function of the intercom.</li> </ul>
	<ul style="list-style-type: none"> <li>• Microphone gain is not adjusted properly.</li> </ul>	<ul style="list-style-type: none"> <li>• Authorized avionics technician or repair facility needs to readjust and re-test microphone amplifier.</li> </ul>
	<ul style="list-style-type: none"> <li>• Microphone is not functioning.</li> </ul>	<ul style="list-style-type: none"> <li>• Return headset to authorized repair center for maintenance.</li> </ul>



Issue	Possible Cause	Solution
Others only hear me sporadically or my voice is distorted and unintelligible	<ul style="list-style-type: none"> <li>• Microphone is not located correctly.</li> </ul>	<ul style="list-style-type: none"> <li>• Reposition microphone to correct location closely to front of mouth. For more information, see “Mic Placement” on page 17.</li> </ul>
	<ul style="list-style-type: none"> <li>• Microphone windscreen is missing or needs to be replaced.</li> </ul>	<ul style="list-style-type: none"> <li>• Replace Windscreen For more information, see “Replacing the Windscreen” on page 28.</li> </ul>
	<ul style="list-style-type: none"> <li>• Pilot is speaking to loudly or to quietly into the microphone.</li> </ul>	<ul style="list-style-type: none"> <li>• Alter speaking level.</li> </ul>
	<ul style="list-style-type: none"> <li>• Intercom system is not adjusted properly, not functioning, or not compatibly with microphone.</li> </ul>	<ul style="list-style-type: none"> <li>• Authorized avionics technician needs to verify compatibility and proper of function of the intercom.</li> </ul>
	<ul style="list-style-type: none"> <li>• Microphone gain is not adjusted properly.</li> </ul>	<ul style="list-style-type: none"> <li>• Authorize avionics technician or repair facility needs to re-adjust and re-test microphone amplifier.</li> </ul>
	<ul style="list-style-type: none"> <li>• Microphone is not functioning.</li> </ul>	<ul style="list-style-type: none"> <li>• Return headset to authorized repair center for maintenance.</li> </ul>

Issue	Possible Cause	Solution
I cannot hear anyone who is trying to speak to me	<ul style="list-style-type: none"> <li>Headphones not connected correctly.</li> </ul>	<ul style="list-style-type: none"> <li>Verify headphone is plugged in correctly.</li> <li>Verify no breaks or damage to cord.</li> </ul>
	<ul style="list-style-type: none"> <li>Headphones are not worn properly.</li> </ul>	<ul style="list-style-type: none"> <li>Reposition headphones to ensure properly covering the ear. For more information, see “Headband Adjustment and Sizing” on page 15.</li> </ul>
	<ul style="list-style-type: none"> <li>Intercom System is not adjusted properly, not functioning, or not compatible with headphones.</li> </ul>	<ul style="list-style-type: none"> <li>Authorized avionics technician needs to verify compatibility and proper function of the intercom</li> </ul>
	<ul style="list-style-type: none"> <li>Headphone volume setting is not adjusted properly.</li> </ul>	<ul style="list-style-type: none"> <li>Adjust volume, as required (if equipped). See “Headphone Volume Adjustment” on page 23.</li> </ul>
	<ul style="list-style-type: none"> <li>Headphones are not functioning.</li> </ul>	<ul style="list-style-type: none"> <li>Return headset to authorized repair center for maintenance.</li> </ul>
	<ul style="list-style-type: none"> <li>Sidetone volume levels are not correct (only applies to not being able to hear yourself over sidetone).</li> </ul>	<ul style="list-style-type: none"> <li>Adjust the sidetone level on the intercom or radio system, if applicable. The headset does not create or modify sidetone level.</li> </ul>

Issue	Possible Cause	Solution
I hear others only sporadically or what I hear is distorted and unintelligible	<ul style="list-style-type: none"> <li>Headphones have poor connection to the aircraft.</li> </ul>	<ul style="list-style-type: none"> <li>Check and clean connectors and re-connect to aircraft.</li> </ul>
	<ul style="list-style-type: none"> <li>Headphones are not properly positioned.</li> </ul>	<ul style="list-style-type: none"> <li>Reposition headphones to ensure proper covering of the ear.</li> </ul>
	<ul style="list-style-type: none"> <li>Headphone ear cushions are missing or need to be replaced.</li> </ul>	<ul style="list-style-type: none"> <li>Replace ear cushions.</li> </ul>
	<ul style="list-style-type: none"> <li>Intercom system is not adjusted properly, not functioning, or not compatible with headphones.</li> </ul>	<ul style="list-style-type: none"> <li>Authorized avionics technician needs to verify compatibility and proper function of the intercom.</li> </ul>
	<ul style="list-style-type: none"> <li>Headphone volume setting is not adjusted properly.</li> </ul>	<ul style="list-style-type: none"> <li>Adjust volume, as required (if equipped). See "Headphone Volume Adjustment" on page 23.</li> </ul>
	<ul style="list-style-type: none"> <li>Headphone are not functioning.</li> </ul>	<ul style="list-style-type: none"> <li>Return headset to authorized repair center for maintenance.</li> </ul>

Issue	Possible Cause	Solution
Headphones are not blocking background noise	<ul style="list-style-type: none"> <li>• ANR power switch is not set to on position.</li> </ul>	<ul style="list-style-type: none"> <li>• Switch headset to on position.</li> </ul>
	<ul style="list-style-type: none"> <li>• Power is not being received from the aircraft.</li> </ul>	<ul style="list-style-type: none"> <li>• Verify with authorized avionics technician if microphone is powered constantly</li> </ul>
	<ul style="list-style-type: none"> <li>• Headset not connected correctly.</li> </ul>	<ul style="list-style-type: none"> <li>• Verify headset connectors are clean and properly connected to the aircraft.</li> </ul>
	<ul style="list-style-type: none"> <li>• Ear cushion is not properly installed.</li> </ul>	<ul style="list-style-type: none"> <li>• Check ear cushions and install properly or replace, if damaged. See “Replacing Ear Cushions and Headband Pads” on page 26.</li> </ul>
	<ul style="list-style-type: none"> <li>• Headphones are not properly positioned.</li> </ul>	<ul style="list-style-type: none"> <li>• Ensure ear cups are properly positioned on ear and reposition as is necessary. See “Ear Cup Adjustment” on page 16.</li> </ul>
	<ul style="list-style-type: none"> <li>• ANR system is not functioning.</li> </ul>	<ul style="list-style-type: none"> <li>• After verifying all proper connections and microphone is providing needed power, then return headset for repair.</li> </ul>
	<ul style="list-style-type: none"> <li>• ANR function is not compatible with Aircraft systems.</li> </ul>	<ul style="list-style-type: none"> <li>• Contact Bosch customer service to determine if there are any known compatibility.</li> </ul>
	<ul style="list-style-type: none"> <li>• Aircraft has a grounding or other system related problem.</li> </ul>	<ul style="list-style-type: none"> <li>• Verify with authorized avionics technician if all grounding of avionics systems is connected properly.</li> </ul>

Issue	Possible Cause	Solution
Headphones are oscillating, creating unexpected noise, or are only blocking background noise intermittently	<ul style="list-style-type: none"> <li>Power is not being received from the aircraft.</li> </ul>	<ul style="list-style-type: none"> <li>Verify with an authorized avionics technician that microphone is working.</li> </ul>
	<ul style="list-style-type: none"> <li>Headset not connected correctly.</li> </ul>	<ul style="list-style-type: none"> <li>Verify the connectors are clean and not damaged and ensure the connectors are fully inserted.</li> </ul>
	<ul style="list-style-type: none"> <li>Ear cushion is not properly installed.</li> </ul>	<ul style="list-style-type: none"> <li>Verify the ear cushions are installed properly or replace, if damaged. For more information, see “Replacing Ear Cushions and Headband Pads” on page 26.</li> </ul>
	<ul style="list-style-type: none"> <li>Headphones are not properly positioned.</li> </ul>	<ul style="list-style-type: none"> <li>Ensure ear cups are properly positioned on ear and reposition. For more information, see “Ear Cup Adjustment” on page 16.</li> </ul>
	<ul style="list-style-type: none"> <li>ANR system is not functioning.</li> </ul>	<ul style="list-style-type: none"> <li>After verifying all proper connections and microphone, return headset for repair.</li> </ul>
	<ul style="list-style-type: none"> <li>ANR function is not compatible with Aircraft systems.</li> </ul>	<ul style="list-style-type: none"> <li>Contact Bosch customer service to determine if there are any known compatibility problems with the aircraft being connected to.</li> </ul>

# Label Information



FIGURE 1. Box Label Information

The Datamatrix ECC200 holds the following information:

- CTN Number
- Serial Number
- SAP Part Number

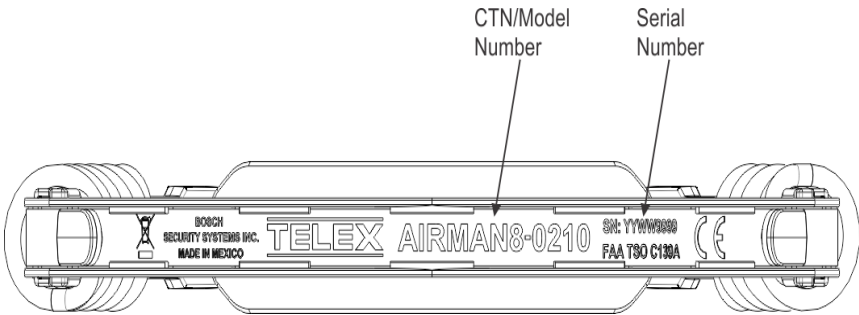


FIGURE 2. Example Headband

---

## *Specifications*

### **Headphones**

**Type:**

Dynamic

**Impedance:**600  $\Omega$  +/-20% @ 1 kHz**Frequency Response:**

(Per RTCA DO-214a)

&lt; 10dB max. to min. over the range 350 to 3500Hz

**Sensitivity:**

(Per RTCA DO-214a)

93 dB  $\pm$ 4 dBSPL (normal)99 dB  $\pm$ 4 dBSPL (high)**NOTE:** High mode not available on stereo version.

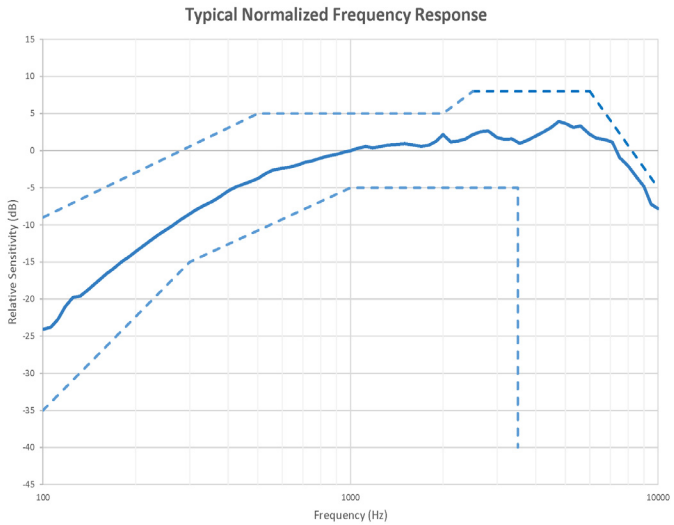
## Microphone and Amplifier

### Element Type:

Noise-canceling amplified electret

### Frequency Response:

(Per RTCA DO-214a)



### Sensitivity:

(Per RTCA DO-214a)

-28dB +/- 3 re 1V/Pa at 1kHz, 12V via Do-214a 2.6.2.1

### Operating Voltage:

(Per RTCA DO-214a)

8-28 VDC (470Ω TSO load circuit)

### ANR:

### Power Supply

Receives power from boom microphone connection (See operating voltage above)

### Attenuation

Provides up to 15dB of attenuation between 100Hz and 1500Hz



## Connector Type

For model AIRMAN 8-0210

Dual Plug Connector

Microphone PJ-068 or equivalent

Headphones PJ-055 or equivalent

For model AIRMAN 8-0211

Microphone and  
Headphones 5-pin Male XLR

For model AIRMAN 8-0235

Microphone and  
Headphones 6-pin Male

## Physical

### Weight:

	headset weight (with cord)	wearing weight (without cord)
Airman 8-0210	~6.6 oz (~187 g)	~4.2 oz (~119 g)
Airman 8-0211	~6.8 oz (~193 g)	~4.2 oz (~119 g)
Airman 8-0235	~6.1 oz (~173 g)	~4.2 oz (~119 g)

### Cord Length:

6 ft. +/-4 in. (1.8 m +/-10 cm)

### Color:

Black and stainless steel

## Controls

Active Noise Reduction On/Off Switch

Volume Normal/High Switch

---

*Part Number Information*

<b>CTN</b>	<b>Description</b>
AIRMAN8-0210	Double Side ANR Headset, 2PJ, 600Ohm
AIRMAN8-0211	Double Side ANR Headset, XLR5, 600Ohm
AIRMAN8-0235	Double Side ANR Headset, 6-pin, Stereo
AIRMAN7-0900	Windscreen for Airman 7 or 8, 2 pcs.
AIRMAN8-0900	Supple Ear Cushion for Airman 8, 2 pcs.
AIRMAN7-0904	Clothing Clip for Airman 7 or 8
AIRMAN7-0905	Carrying Case for Airman 7 or 8
AIRMAN7-0906	Headband Pad for Airman 7 or 8
AIRMAN8-0901	Hygiene Cover for Airman 8, 10 pcs.

*Notes*

---

**Bosch Security Systems, Inc.**

12000 Portland Avenue South  
Burnsville, MN 55337 U.S.A.  
[www.boschcommunications.com](http://www.boschcommunications.com)



F01U307704

F.01U.307.704 Rev. 08